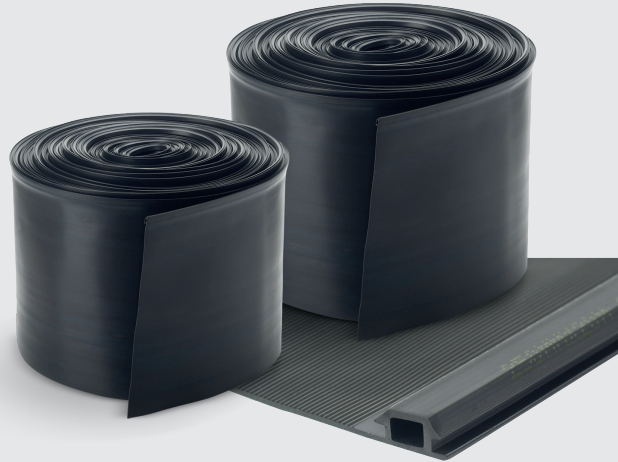


OBEX

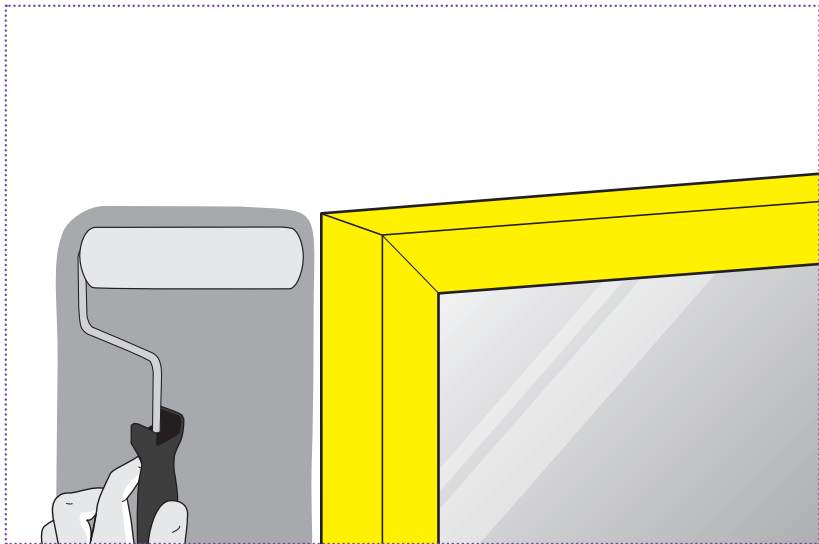
How to Install...

Cortex EPDM Membrane with Gasket

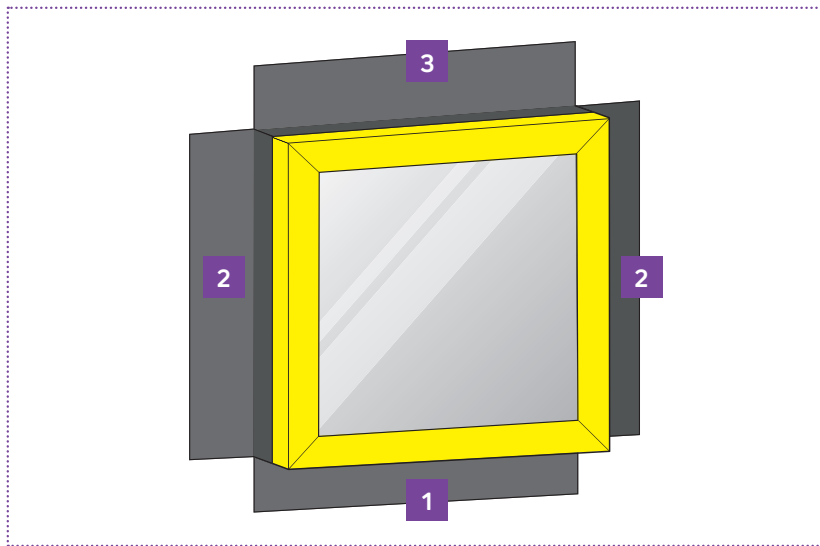


www.obexuk.com

1



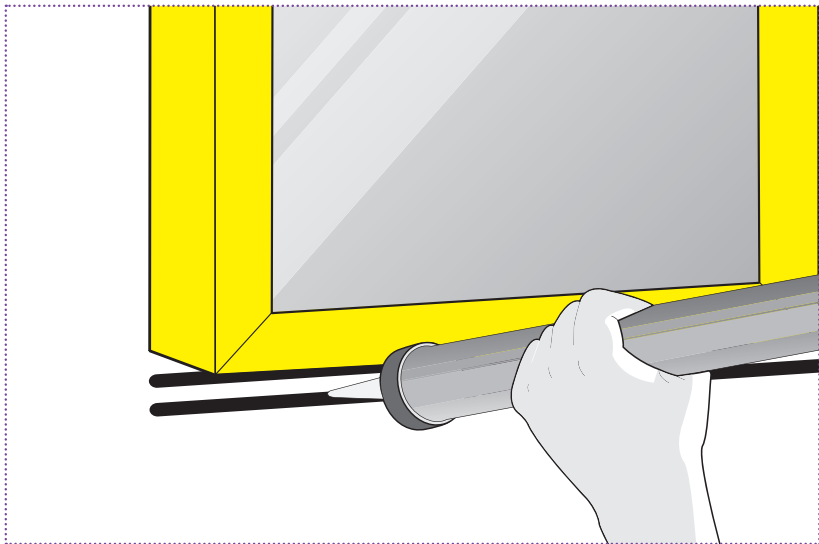
Ensure both substrates are clean, dry, and free from grease and oil prior to application. Porous surfaces may need to be primed using Cortex 0785 Primer.



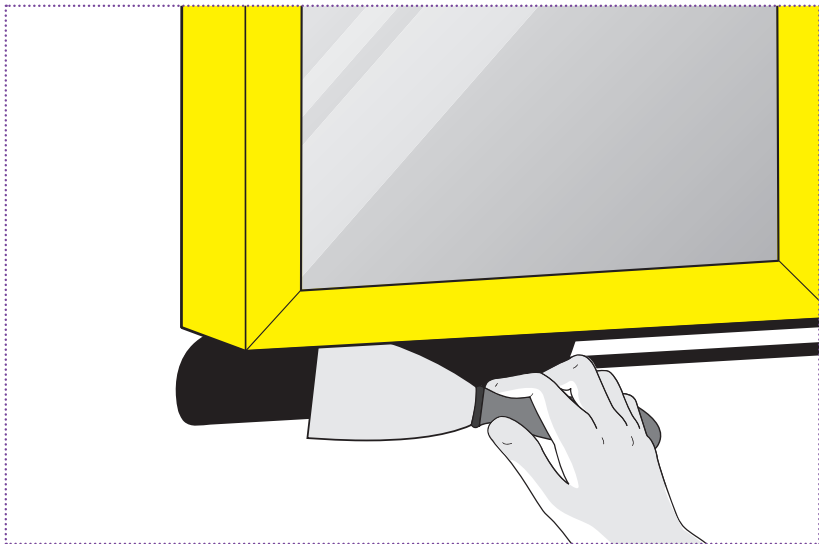
2

Cortex EPDM Membrane with Gasket should be fitted in this order around the window: cill, jambes and then head.

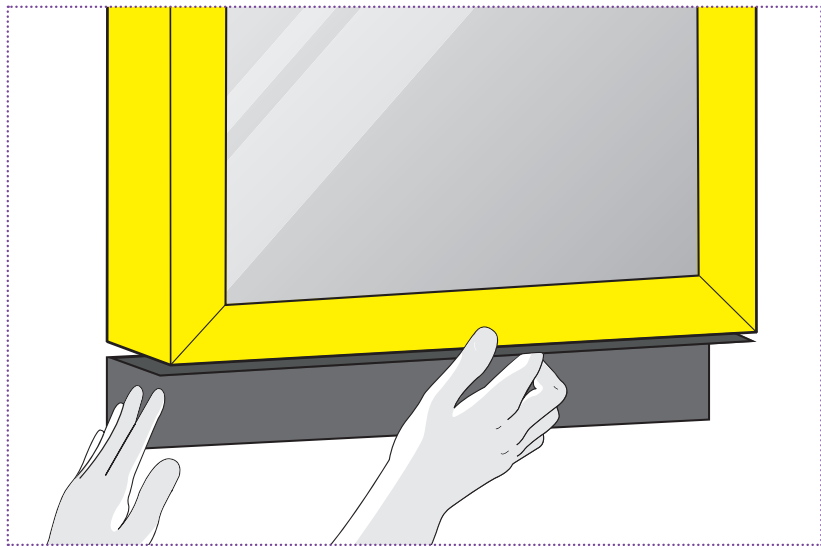
3



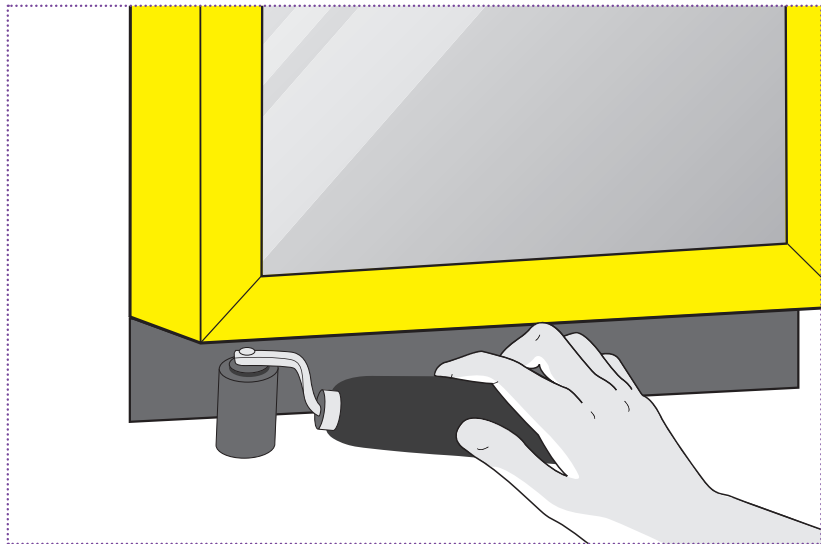
Apply a bead of Cortex Paste Adhesive into the gasket carrier using a paste adhesive gun. Then apply Cortex Paste Adhesive onto the substrate.



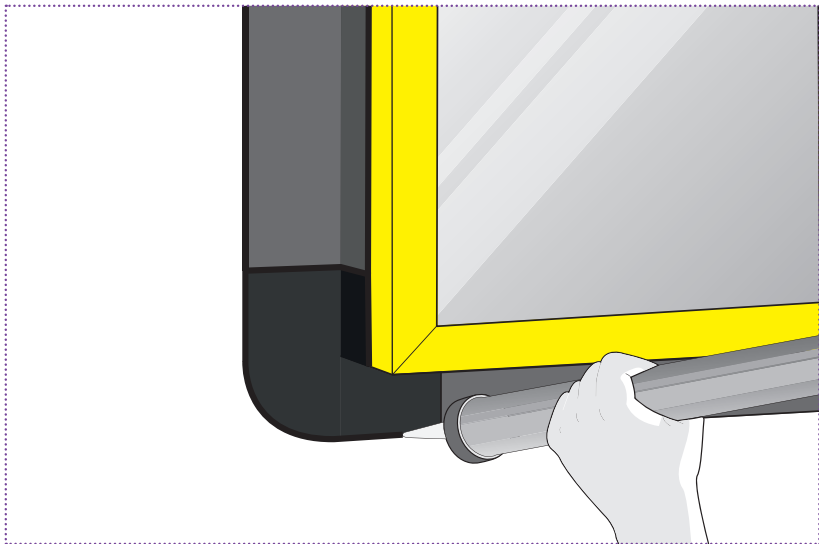
Spread out the paste adhesive using a paste adhesive spreader.



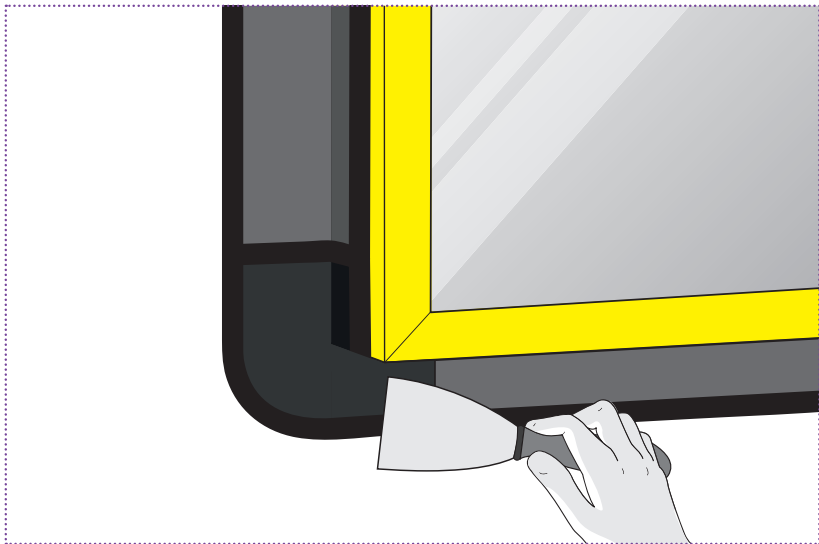
Clip the Cortex EPDM Membrane with Gasket into the carrier on the frame, and then bond back to the substrate, ensuring the membrane is applied flat and without creases.



Roll firmly with a seam roller to ensure maximum bond strength to all surfaces.



Corners can be sealed using Cortex 0901 External Corners. Apply a further bead of Cortex Paste Adhesive around the perimeter of the membrane and any joints/laps.



Tool off the paste adhesive with a spreader to ensure no open edges.



Once finished, the system should look similar to the above.

Tips

- » The width of the membrane must be designed with full consideration of the facade or window detail including the interior and exterior sides of the connection joint.
- » The recommended overlap between membranes and porous materials (concrete, brick) is a minimum 100mm. For non-porous material, we recommend at least a 20-30mm bond width.
- » Porous surfaces may need to be primed using Cortex 0785 Primer.
- » Cortex 0901 Corners can be used to provide a 100% watertight seal at corner junctions.

OBEX

CORTEX
EPDM membrane system



For technical assistance, call **01905 337800**,
email **sales@obexuk.com** or visit **www.obexuk.com**